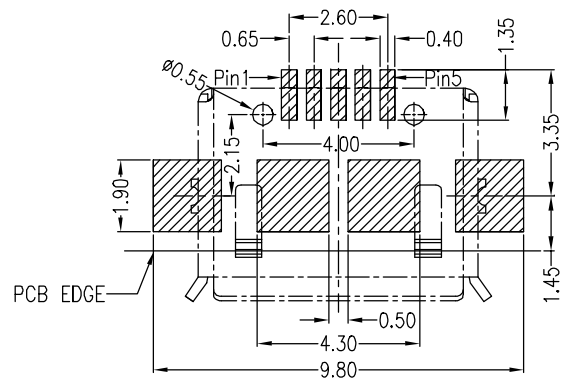
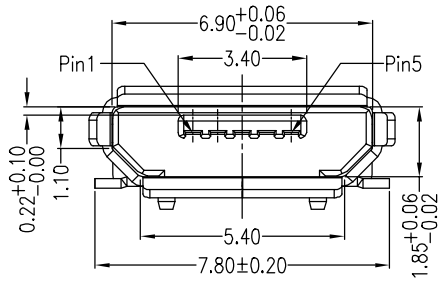
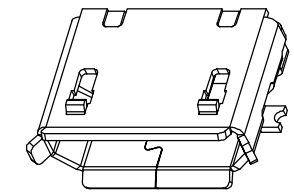
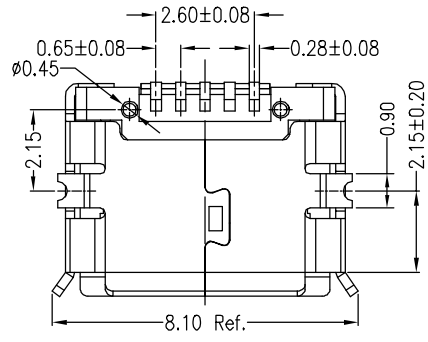
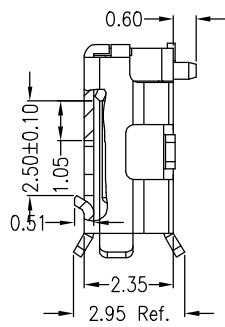
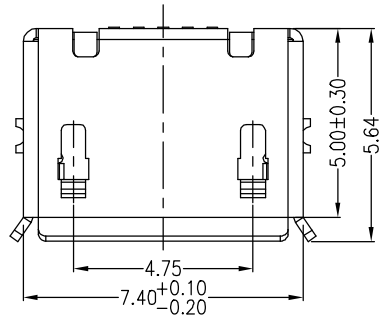
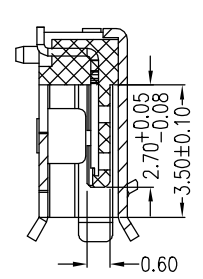
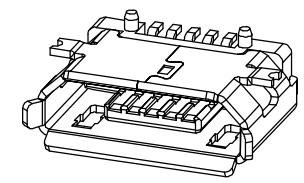
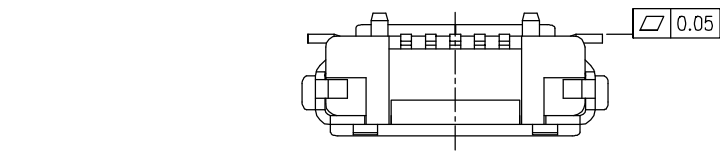


REV.	ECN NO	LOCATIONS	DESCRIPTION	DATE

A
B
C
D
E
F

A
B
C
D
E
F



Note:
 1.Material:
 1.1 Housing: High temperature thermoplastic with g.f,UL94v-0
 1.2 Contact: copper alloy,t=0.20mm
 1.3 Shell: copper alloy,t=0.25mm
 2.Specification:
 2.1 Current rating: 1 A Max.
 2.2 Dielectric withstanding voltage: 100 V(ac) for 1 min.
 2.3 Contact resistance: 50 mW Max.
 2.4 Insulation resistance: 100 MW Min.
 2.5 Total mating force: 3.57 Kgf Max.
 2.6 Total unmating force: 1.0 Kgf Min.0.81~2.05 Kgf Min.
 2.7 Temperature range: -30°C~80°C

A 01 S B 1 4 1 B 2-014

- ① ② ③ ④ ⑤ ⑥ ⑦ ⑧ ⑨ ⑩

- ① 产品代号 A:成品
- ② 产品系列 01:micro usb 5pin
- ③ 产品类别 S:母座
- ④ 产品类型 B:B TYPE
- ⑤ 外壳材质 1:C2680R-H
- ⑥ 端子材质 4:G5191R-EH
- ⑦ 主体材质 1:LCP
- ⑧ 主体颜色 B:黑色
- ⑨ 下板类型 2:smt
- ⑩ 细节流水 014:Micro usb 5s B Type SMT有脚柱有后盖

PART NO: A01SB141B2-014		MATERIAL: SEE NOTE
MODEL NO: XX		FINSH: SEE NOTE
UNIT: MM	SIZE: A4	COLOR: SEE NOTE
TOLERANCE UNSPECIFIED		DR: xiayouhong
.x	0.15	CHK:
.xx	0.10	APP:
.xxx	0.05	
Ang.	1°	

Coorle 库乐科技

TITLE: Micro usb 5s B Type Smt有脚柱有后盖	
DWG NO:	REV: A
SCALE: 5:1	DATE: 2012.05.16

1 2 3 4 5 6 7 8